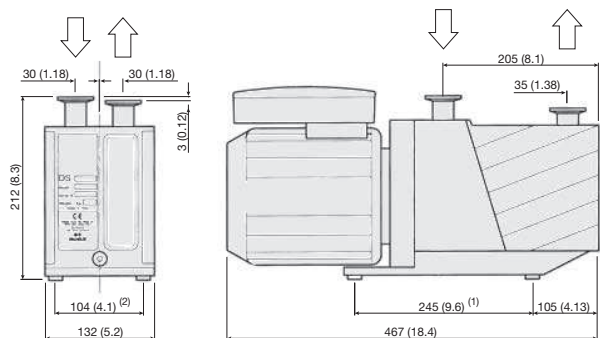


# AGILENT ROTARY VANE PUMP MODELS

## ▶ Agilent DS 202



Alternative mounting holes are also available, with (1) = 226 (8.9) and (2) = 98 (3.8), with hole  $\varnothing = 7$  (0.3)

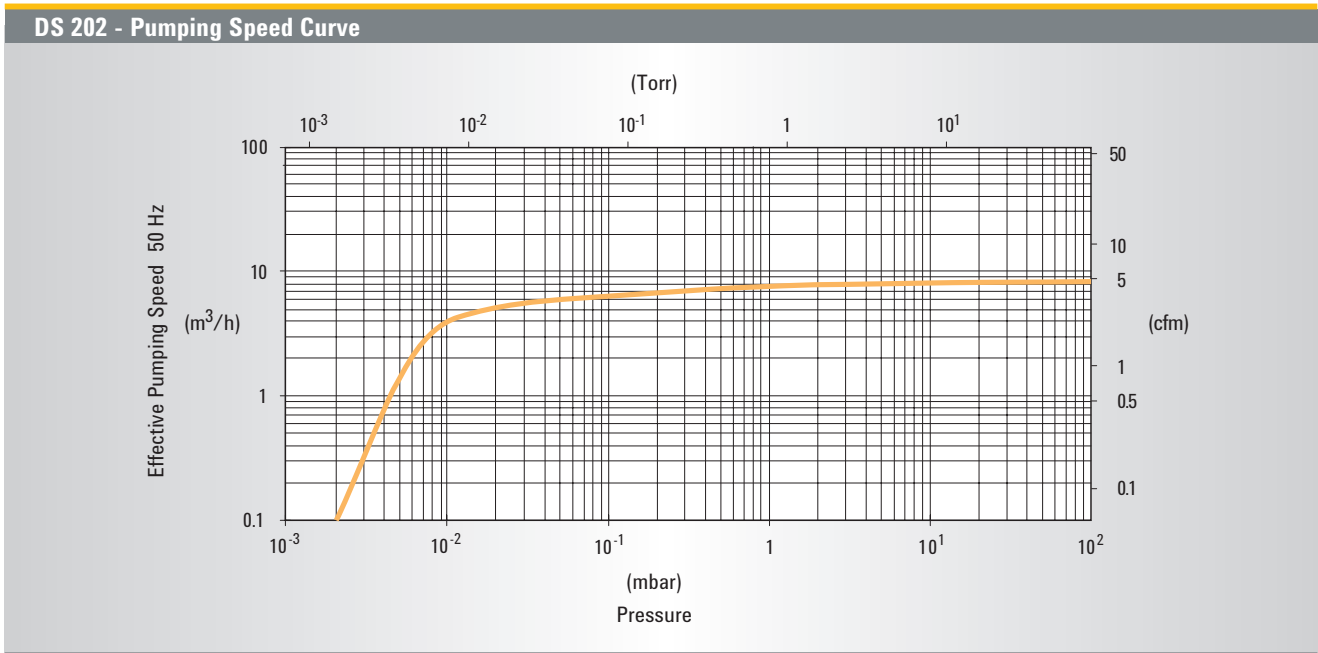
Dimensions: millimeters (inches)

### Technical Specifications

<b>Free air displacement</b>	60 Hz: 192 l/min (6.8 cfm)	50 Hz: 160 l/min (9.6 m <sup>3</sup> /h)
<b>Pumping speed*</b>	60 Hz: 5.8 cfm	50 Hz: 8.3 m <sup>3</sup> /h
<b>Ultimate partial pressure*</b>		10 <sup>-4</sup> mbar
<b>Ultimate total pressure*</b>		2 x 10 <sup>-3</sup> mbar
<b>Ultimate total pressure with gas ballast*</b>		2 x 10 <sup>-2</sup> mbar
<b>Water vapor tolerance</b>		15 mbar
<b>Water vapor capacity</b>		100 g/h
<b>Oil capacity min/max</b>		0.25/0.6 l
<b>Motor rating 1ph</b>	60 Hz: 0.55 kW	50 Hz: 0.45 kW
<b>Nominal rotation speed</b>	60 Hz: 1800 rpm	50 Hz: 1500 rpm
<b>Weight</b>		25 kg (55 lbs)
<b>Inlet flange</b>		25KF DN
<b>Exhaust flange</b>		25KF DN

\* According to PNEUROP 6602

# ROTARY VANE PUMPS



## Ordering Information

Dual Stage Rotary Vane Pump	Part Number
DS 202 with 1 phase worldwide motor*	9499320
* 1 phase motors (100-120 / 200-230) V ±10%, 50/60 Hz. All motors comply with CE and UL/CSA standards.	
Minor Maintenance Kit	Part Number
Contains all the valves, O-rings and seals to refurbish the pump to vacuum integrity	9499370
Major Maintenance Kit	Part Number
Includes all the items of the minor kit plus the vanes	9499381

Oil and Accessories	Part Number
Rotary vane fluid, DS19 type, 1 liter	9499390
Rotary vane fluid, DS19 type, 1 liter (USA)*	K7516301
Rotary vane fluid, DS19 type, 1 gallon (USA)	K7516302
Oil mist eliminator	9499395
Oil mist replacement cartridge (pkg. of 2)	9499394
NW 25 oil exhaust filter	9499392
NW 25 oil exhaust replacement cartridge	9499342
Oil return kit	9499376
Oil drain extension	9499375
European plug power cable 2 meters 1 ph	9499396
USA plug power cable 2 meters 1 ph	9499397
UK plug power cable 2 meters 1 ph	9499398
NW 25 centering ring Viton	KC25AV
NW 25 aluminum clamp	KQ25AWP

\* When these pumps are used in Leak Detectors applications, we recommend the use of Rotary Vane Fluid (Elite-Z mechanical), P/N 695409005 as it features a lower vapor pressure.