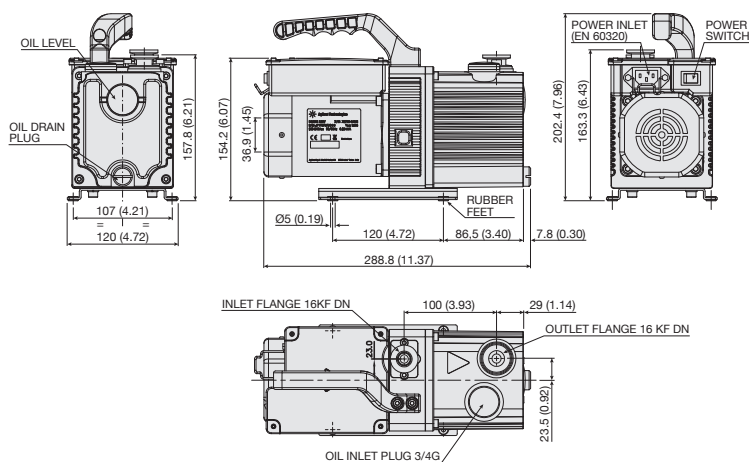


# AGILENT ROTARY VANE PUMP MODELS

## ▶ Agilent DS 40M



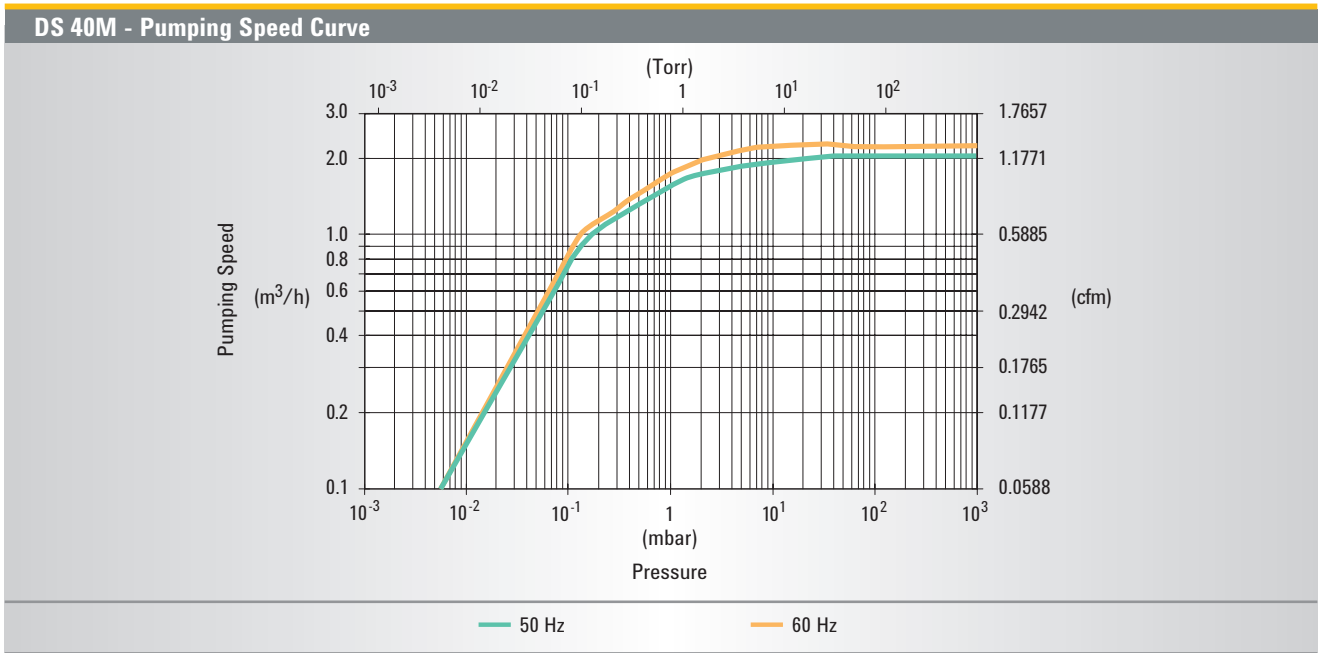
Dimensions: millimeters (inches)

### Technical Specifications

<b>Free air displacement</b>	60 Hz: 36 l/min (1.27 cfm)	50 Hz: 43 l/min (2.58 m <sup>3</sup> /h)
<b>Pumping speed*</b>	60 Hz: 1.27 cfm	50 Hz: 1.8 m <sup>3</sup> /h
<b>Ultimate partial pressure*</b>	—	
<b>Ultimate total pressure*</b>	6.7 x 10 <sup>-3</sup> mbar	
<b>Ultimate total pressure with gas ballast*</b>	—	
<b>Water vapor tolerance</b>	—	
<b>Water vapor capacity</b>	—	
<b>Oil capacity max</b>	0.37 l	
<b>Motor rating 1ph</b>	60 Hz: 0.1 kW	50 Hz: 0.1 kW
<b>Nominal rotation speed</b>	60 Hz: 3300 rpm	50 Hz: 2600 rpm
<b>Weight</b>	9.3 kg (20.5 lbs)	
<b>Inlet flange</b>	16KF DN	
<b>Exhaust flange</b>	16KF DN	

\* According to PNEUROP 6602

# ROTARY VANE PUMPS



## Ordering Information

Dual Stage Rotary Vane Pump	Part Number
DS 40M 100-120 Vac - 50/60Hz	X3703-64000
DS 40M 200-240 Vac - 50/60Hz	X3703-64001

Oil and Accessories	Part Number
Rotary vane fluid, AVF 20S type, 0.5 liter	X3703-64006
DS 40M oil mist trap 3/4 G	X3703-64003
DS 40M oil mist trap cartridge (pkg. of 2)	X3703-64004
DS 40M maintenance kit	X3703-64005
European plug power cable 2 meters 1 ph	9499396
USA plug power cable 2 meters 1 ph	9499397
UK plug power cable 2 meters 1 ph	9499398
NW 16 centering ring viton	KC16AV
NW 16 aluminum clamp	KQ16AWP