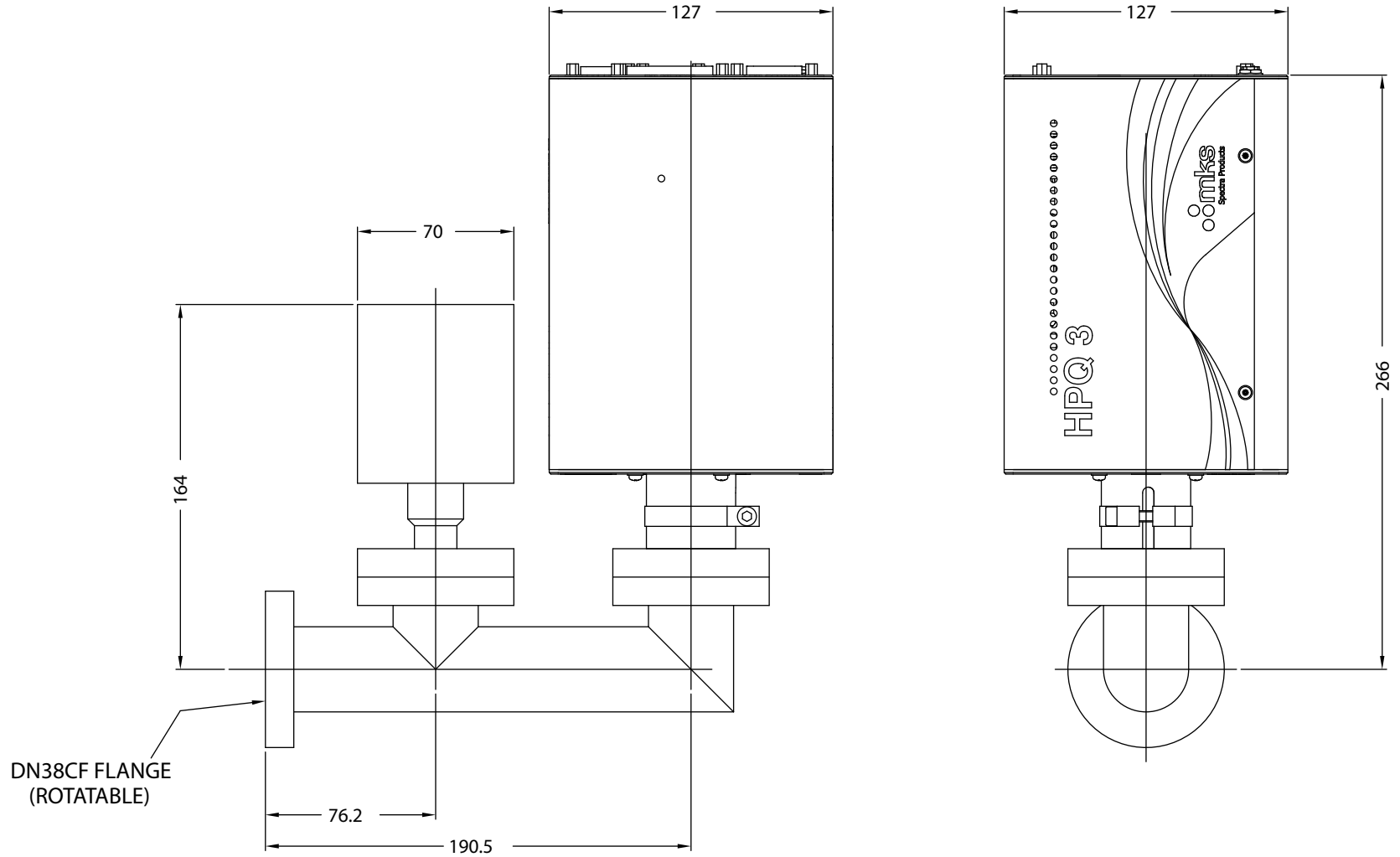


Dimensional Drawings —

Note: Unless otherwise specified, dimensions are nominal values in millimeters.



Dimensional Drawings —  
 Note: Unless otherwise specified, dimensions are nominal values in millimeters.