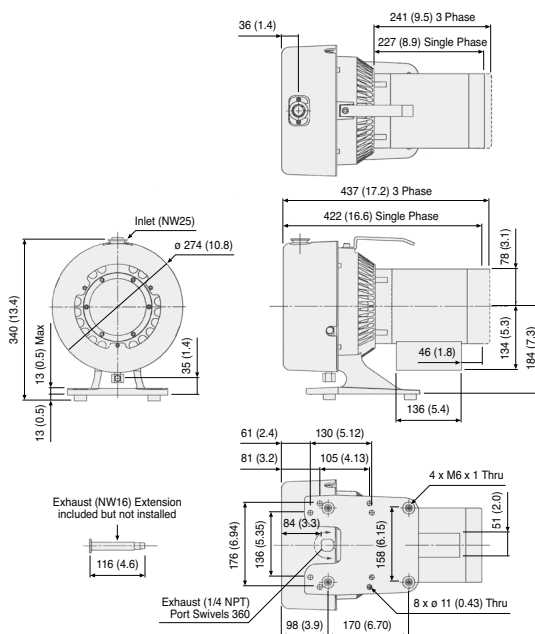


Agilent TriScroll 300



Dimensions: millimeters (inches)

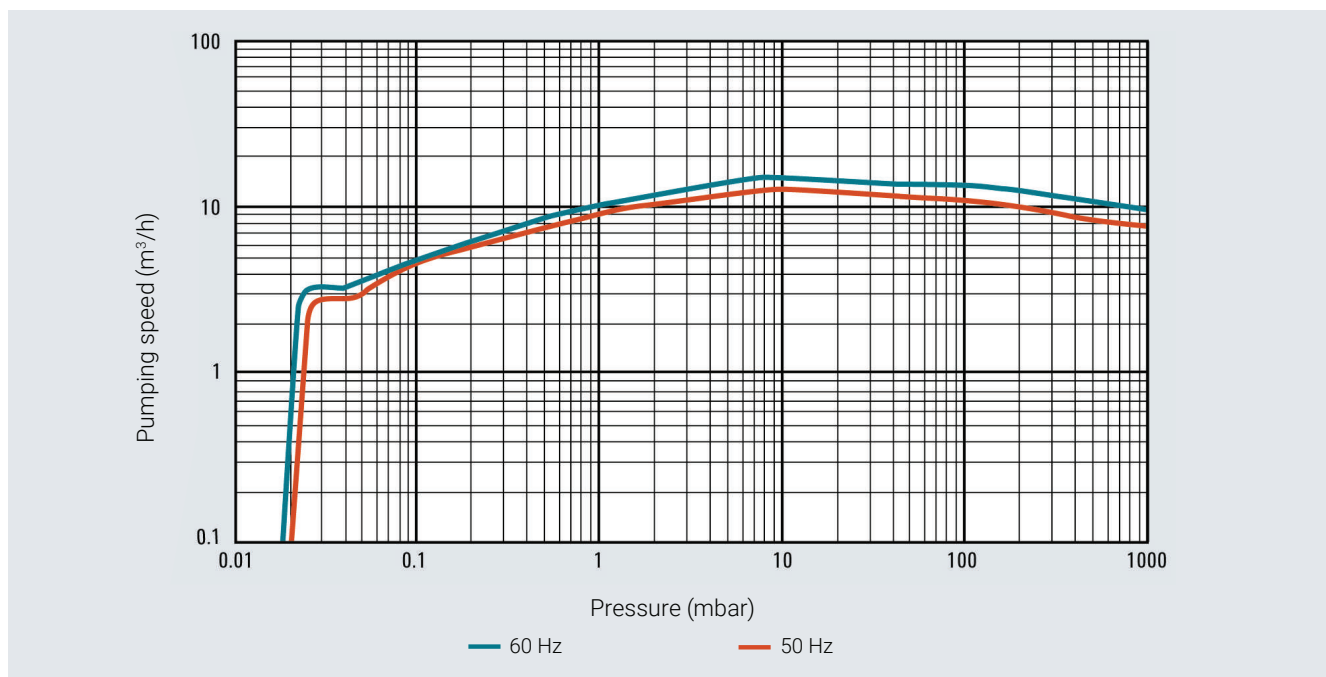
The TriScroll series is a range of two-stage dry scroll pumps that have high pumping speeds and low base pressure. TriScroll pumps eliminate the frequent maintenance requirements of oil-sealed rotary vane pumps, simplifying regulatory and environmental compliance, and eliminating oil disposal costs. The unique, patented TriScroll pump offers proven reliability and durability, delivering consistent performance and superior cost of ownership.

- High pumping speeds and low ultimate pressure provide a clean, dry vacuum
- Long-life tip seals routinely last more than a year before replacement
- Bearing purge port permits simple maintenance and delivers long bearing life
- Automatic air ballast manages water vapor without reducing pumping speed

Technical specifications

Pumping speed	60 Hz: 250 L/m, 15 m ³ /h, 8.8 cfm 50 Hz: 210 L/m, 12.6 m ³ /h, 7.4 cfm
Ultimate pressure	1.3 x 10 ⁻² mbar (1 x 10 ⁻² Torr)
Maximum inlet pressure	1.0 atm (1.0 psig)
Maximum outlet pressure	1.1 atm (1.5 psig)
Inlet connection	NW25
Exhaust connection	1/4-inch female NPT with swivel (NW16 adapter provided)
Gas ballast	1/8-inch female NPT (shipped with 40 µm filter installed; port plug also provided)
Operating voltages	1Ø models: 50-60 Hz/100-115, 200-230 VAC 3Ø models: 50 Hz/200-230, 380-415 VAC; 60 Hz/200-230, 460 VAC
Weight	Pump only: 26.4 kg (58 lb) Shipping weight: 34.2 kg (75 lb)
Certification	CE, CSA, and RoHS
Note: Scroll pumps are not suitable for pumping corrosive, explosive, or particulate-forming gases.	

TriScroll 300 Pumping Speed – Air/N₂



Ordering information

Description	Part Number
TriScroll 300 dry scroll vacuum pump, 1Ø motor, U.S. cord	PTS03001UNIV
TriScroll 300 dry scroll vacuum pump 1Ø motor, Euro cord	PTS03001UNIVEU
TriScroll 300 dry scroll vacuum pump, 1Ø motor, UK cord	PTS03001UNIVUK
TriScroll 300 dry scroll vacuum pump 3Ø motor	PTS03003UNIV
TriScroll 300, 1Ø, with vacuum isolation valve (VPI), 120 V	PTS03001UVPI*
TriScroll 300, 1Ø, with VPI, 220 V, EU power cord	PTS03001UVPIEU
TriScroll 300, 1Ø, with VPI, 220 V, UK power cord	PTS03001UVPIUK
TriScroll 300, 3Ø, with VPI, 200 V	PTS03003200VPI
TriScroll 300, 3Ø, with VPI, 230 V	PTS03003230VPI
TriScroll 300, 3Ø, with VPI, 380/415 V	PTS03003380415VPI
TriScroll 300, 3Ø, with VPI, 460 V	PTS03003460VPI
TriScroll 300 exhaust extension	S4707002
* Contact Agilent for other voltages	
Accessories	
See also the Scroll Accessories section, beginning on Page 30	
Maintenance/Service Parts	
See also the Scroll Service Parts section, beginning on Page 38	