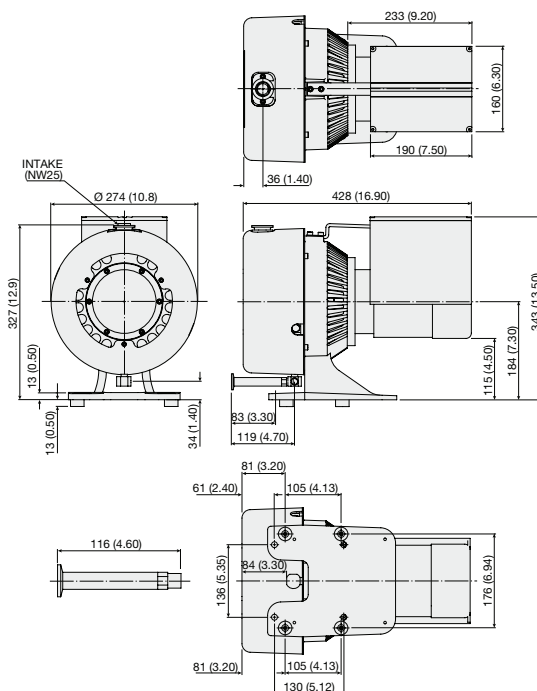


Agilent TriScroll 300 Inverter



Dimensions: millimeters (inches)

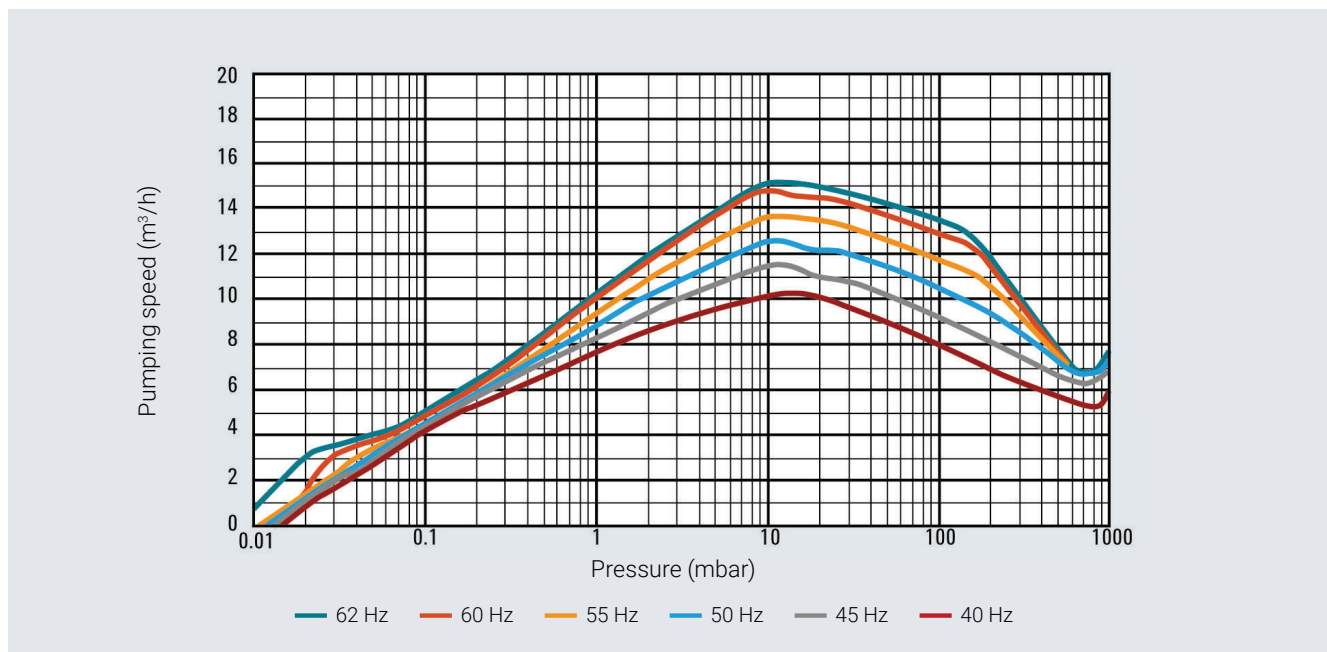
TriScroll Inverter pumps apply the benefits of frequency inverter technology to the performance of Agilent TriScroll dry primary vacuum pumps. TriScroll pumps eliminate the frequent maintenance requirements of oil-sealed rotary vane pumps, simplifying regulatory and environmental compliance, and eliminating oil disposal costs.

- Constant pumping speed worldwide, regardless of line frequency
- Optimal pumping speed selection, adjusting the rotational speed of the pump, using RS-232 or 0 to 10 V control signal
- Monitoring of pump parameters using serial interface
- Remote start/stop with a contact closure made possible by a standard D-shell connector
- Optimal rotational speed selection reduces noise and vibration levels in the work area, with little loss in base pressure performance of the pump

Technical specifications

Pumping speed at 60 Hz	250 L/m, 15 m ³ /h, 8.8 cfm (at 60 Hz drive frequency, variable)
Ultimate pressure	1.3 x 10 ⁻² mbar (1.0 x 10 ⁻² Torr)
Maximum inlet pressure	1.0 atm (0 psig)
Maximum outlet pressure	1.1 atm (1.5 psig)
Inlet connection	NW25
Exhaust connection	¼-inch female NPT with swivel (NW16 adapter provided)
Gas ballast	¼-inch female NPT (shipped with 40 µm filter installed; port plug also provided)
Operating voltages	100-115 V, 200-240 V, 1Ø, 50/60 Hz
Maximum line current	200 V; 5 A 240 V; 4.2 A
Weight	Pump only: 26 kg (57 lb) Shipping weight: 34 kg (74 lb)
Certification	CE, CSA, and RoHS
Note: Scroll pumps are not suitable for pumping corrosive, explosive, or particulate-forming gases.	

TriScroll 300 Inverter Pumping Speed – Air/N₂



Ordering information

Description	Part Number
TriScroll 300 dry scroll vacuum pump, 1Ø motor, 100-240 V	PTS03001INV
Power Cord Selection	
Europe, 10 A/220-230 V, 2.5 m	656494220
Denmark, 10 A/220-230 V, 2.5 m	656494225
Switzerland, 10 A/230 V, 2.5 m	656494235
UK/Ireland, 13 A/230 V, 2.5 m	656494250
India, 10 A/220-250 V, 2.5 m	656494245
Israel, 10 A/220-230 V, 2.5 m	656494230
Japan, 12 A/100 V, 2.3 m	656494240
North America, 15 A/125 V, 2.0 m	656458203
North America, 10 A/230 V, 2.5 m	656494255
Accessories	
<i>See also the Scroll Accessories section beginning on Page 30</i>	
Maintenance/Service Parts	
<i>See also the Scroll Service Parts section beginning on Page 38</i>	