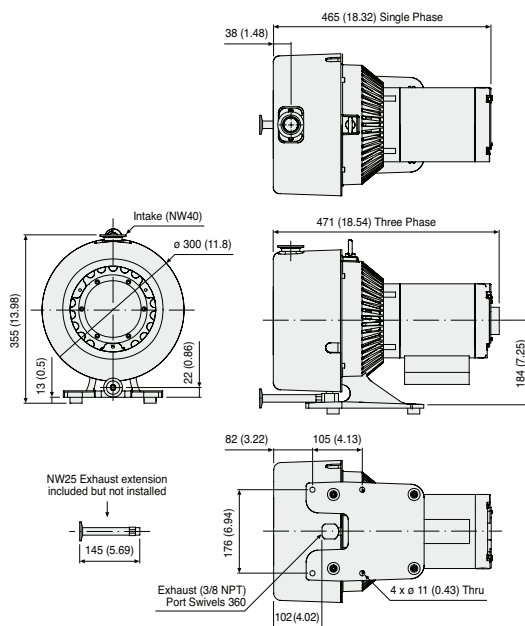


# Agilent TriScroll 600



Dimensions: millimeters (inches)

The TriScroll series is a range of two-stage dry scroll pumps that have high pumping speeds and low base pressure. TriScroll pumps eliminate the frequent maintenance requirements of oil-sealed rotary vane pumps, simplifying regulatory and environmental compliance, and eliminating oil disposal costs.

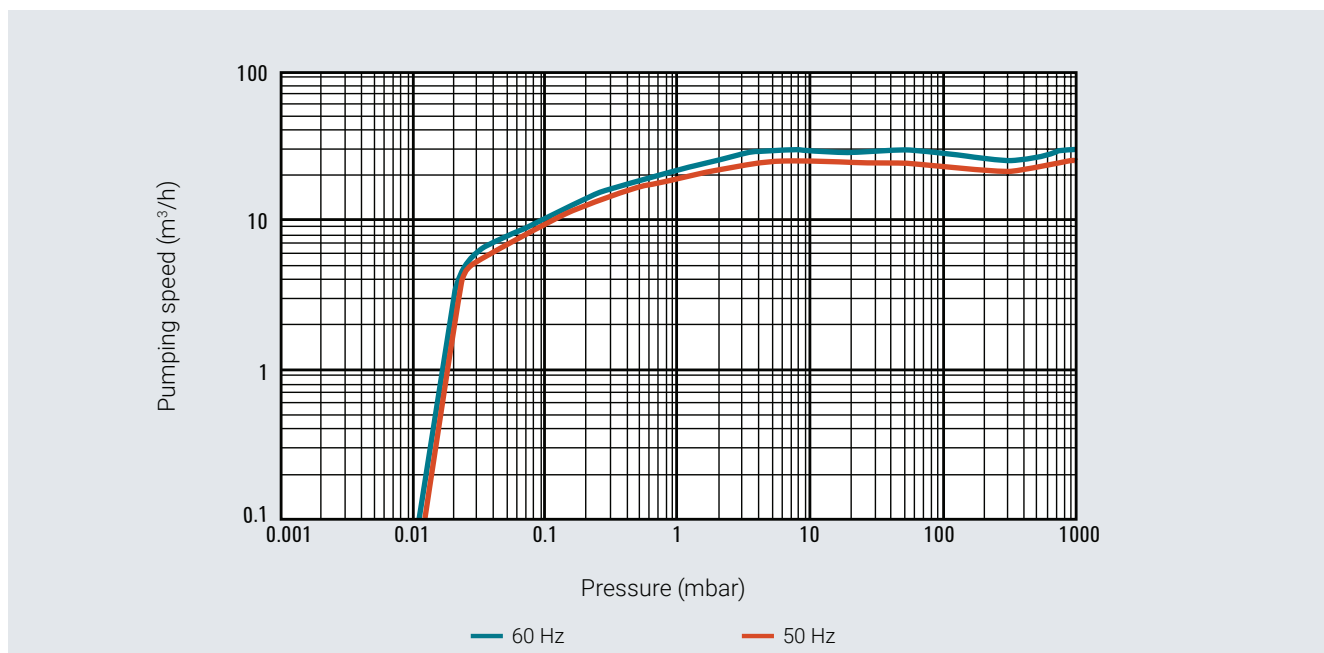
The unique, patented TriScroll pump offers proven reliability and durability, delivering consistent performance and superior cost of ownership.

- High pumping speeds and low ultimate pressure provide clean, dry vacuum
- Long-life tip seals routinely last more than a year before replacement
- Bearing purge port permits simple maintenance and delivers long bearing life
- Automatic air ballast manages water vapor without reducing pumping speed

## Technical specifications

<b>Pumping speed</b>	60 Hz: 500 L/m 30 m <sup>3</sup> /h, 17.7 cfm 50 Hz: 420 L/m, 25.2 m <sup>3</sup> /h, 14.8 cfm
<b>Ultimate pressure</b>	9.3 x 10 <sup>-3</sup> mbar (7.0 x 10 <sup>-3</sup> Torr)
<b>Maximum inlet pressure</b>	1.0 atm (0 psig)
<b>Maximum outlet pressure</b>	1.1 atm (1.5 psig)
<b>Inlet connection</b>	NW40
<b>Exhaust connection</b>	3/8-inch female NPT with swivel (NW25 adapter provided)
<b>Gas ballast</b>	1/4-inch female NPT (shipped with 40 µm filter installed; port plug also provided)
<b>Operating voltages</b>	1Ø models: 50-60 Hz/100-115, 200-230 VAC 3Ø models: 50 Hz/200-230, 380-415 VAC; 60 Hz/200-230, 460 VAC
<b>Weight</b>	Pump only: 32 kg (70 lb) Shipping weight: 40 kg (87 lb)
<b>Certification</b>	CE, CSA, and RoHS
<b>Note:</b> Scroll pumps are not suitable for pumping corrosive, explosive, or particulate-forming gases.	

### TriScroll 600 Pumping Speed – Air/N<sub>2</sub>



### Ordering information

Description	Part Number
TriScroll 600 dry scroll vacuum pump, 1Ø motor	PTS06001UNIV
TriScroll 600 dry scroll vacuum pump, 1Ø motor, Euro cord	PTS06001UNIVEU
TriScroll 600 dry scroll vacuum pump, 1Ø motor, UK cord	PTS06001UNIVUK
TriScroll 600 dry scroll vacuum pump, 3Ø phase motor	PTS06003UNIV
TriScroll 600, 1Ø, with vacuum isolation valve (VPI), 120 V	PTS06001UVPI*
TriScroll 600, 1Ø, with VPI, 220 V, EU power cord	PTS06001UVPIEU
TriScroll 600, 1Ø, with VPI, 220 V, UK power cord	PTS06001UVPIUK
TriScroll 600, 3Ø, with VPI, 200 V	PTS06003200VPI
TriScroll 600, 3Ø, with VPI, 230 V	PTS06003230VPI
TriScroll 600, 3Ø, with VPI, 380/415 V	PTS06003380415VPI
TriScroll 600, 3Ø, with VPI, 460 V	PTS06003460VPI
TriScroll 600 exhaust extension	S4807001
* Contact Agilent for other voltages	
<b>Accessories</b>	
See also the Scroll Accessories section beginning on Page 30	
<b>Maintenance/Service Parts</b>	
See also the Scroll Service Parts section beginning on Page 38	