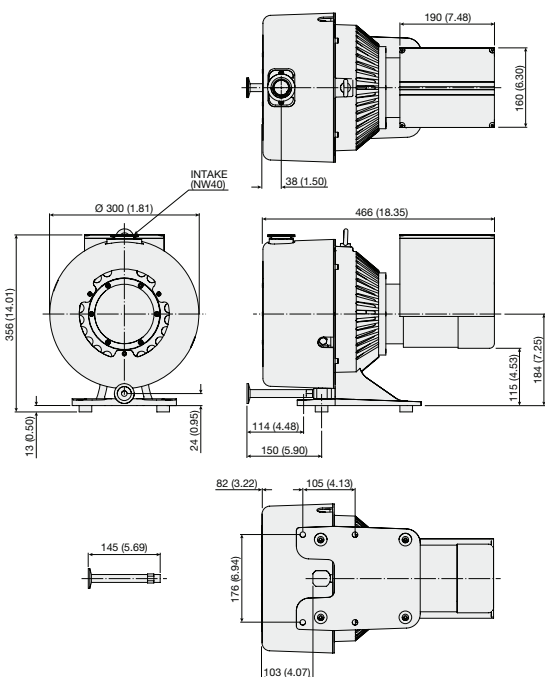
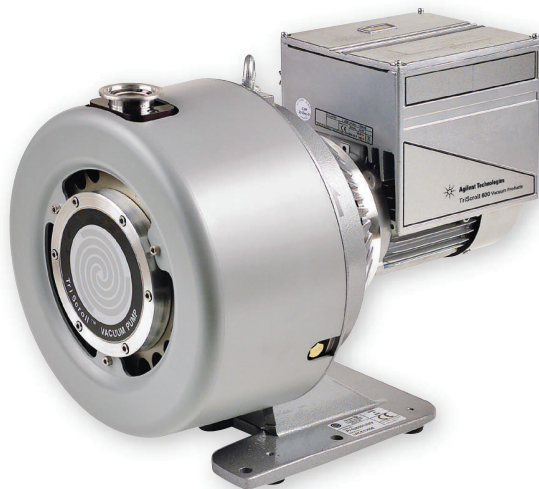


# Agilent TriScroll 600 Inverter



Dimensions: millimeters (inches)

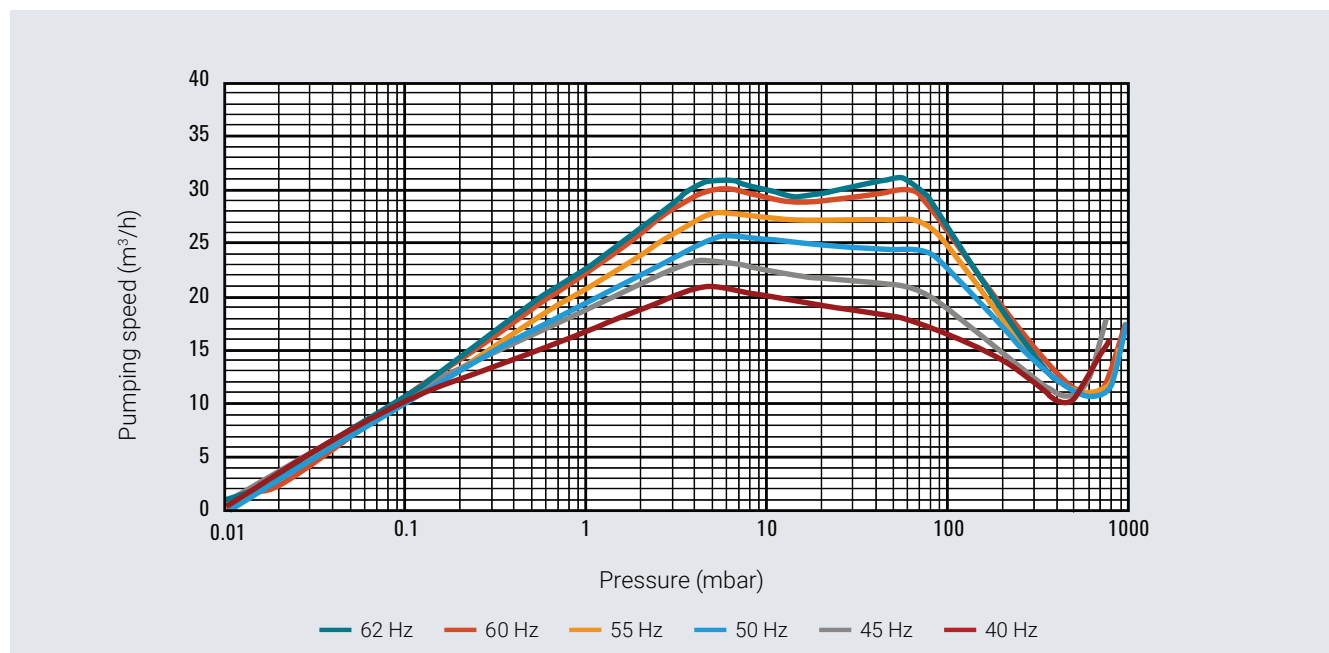
TriScroll Inverter pumps apply the benefits of frequency inverter technology to the performance of Agilent TriScroll dry primary vacuum pumps. TriScroll pumps eliminate the frequent maintenance requirements of oil-sealed rotary vane pumps, simplifying regulatory and environmental compliance, and eliminating oil disposal costs.

- Constant pumping speed worldwide regardless of line frequency
- Optimal pumping speed selection, adjusting the rotational speed of the pump, using RS-232 or 0 to 10 V control signal
- Monitoring of pump parameters using serial interface
- Remote start/stop with a contact closure made possible by a standard D-shell connector
- Optimal rotational speed selection reduces noise and vibration levels in the work area, with little loss in base pressure performance of the pump

## Technical specifications

|  |   |
|--|---|
| <b>Pumping speed at 60 Hz</b>  | 500 L/m, 30 m <sup>3</sup> /h, 17.7 cfm (at 60 Hz drive frequency, variable)            |
| <b>Ultimate pressure</b>   | 9.3 x 10 <sup>-3</sup> mbar (7.0 x 10 <sup>-3</sup> Torr)                               |
| <b>Maximum inlet pressure</b>  | 1.0 atm (0 psig)  |
| <b>Maximum outlet pressure</b>   | 1.1 atm (1.5 psig)  |
| <b>Inlet connection</b>  | NW40  |
| <b>Exhaust connection</b>  | 3/8-inch female NPT with swivel (NW25 adapter provided)                                 |
| <b>Gas ballast</b>   | 1/4-inch female NPT (shipped with 40 $\mu$ m filter installed; port plug also provided) |
| <b>Operating voltages</b>  | 200-240 V, 1 $\varnothing$ , 50/60 Hz   |
| <b>Maximum line current</b>  | 200 V; 5 A 240 V; 4.2 A   |
| <b>Weight</b>  | Pump only: 31 kg (68 lb)<br>Shipping weight: 39 kg (85 lb)                              |
| <b>Certification</b>   | CE, CSA, and RoHS   |
| <b>Note:</b> Scroll pumps are not suitable for pumping corrosive, explosive, or particulate-forming gases. |   |

### TriScroll 600 Inverter Pumping Speed – Air/N<sub>2</sub>



### Ordering information

| Description   | Part Number |
|---|-------------|
| TriScroll 600 dry scroll vacuum pump, 1Ø, 200-240 V       | PTS06001INV |
| <b>Power Cord Selection</b>                               |             |
| Europe, 10 A/220-230 V, 2.5 m                             | 656494220   |
| Denmark, 10 A/220-230 V, 2.5 m                            | 656494225   |
| Switzerland, 10 A/230 V, 2.5 m                            | 656494235   |
| UK/Ireland, 13 A/230 V, 2.5 m                             | 656494250   |
| India, 10 A/220-250 V, 2.5 m                              | 656494245   |
| Israel, 10 A/230 V, 2.5 m                                 | 656494230   |
| North America, 10 A/230 V, 2.5 m                          | 656494255   |
| <b>Accessories</b>  |             |
| See the Scroll Accessories section beginning on Page 30   |             |
| <b>Maintenance/Service Parts</b>                          |             |
| See the Scroll Service Parts section beginning on Page 38 |             |