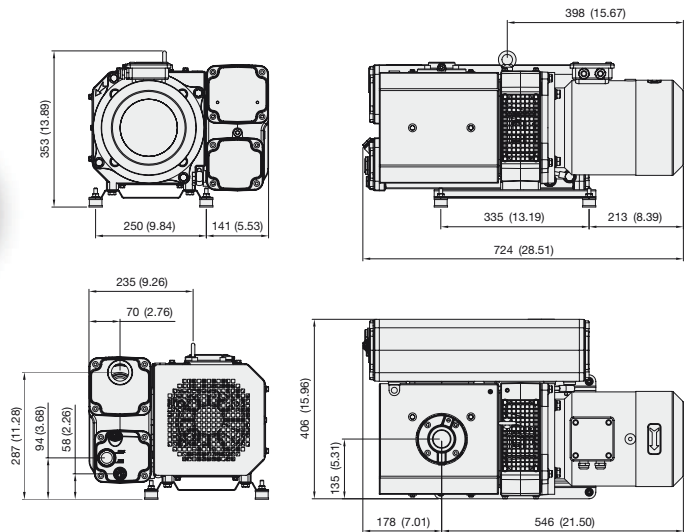


PUMP MODELS

▶ Agilent MS-101



Dimensions: millimeters (inches)

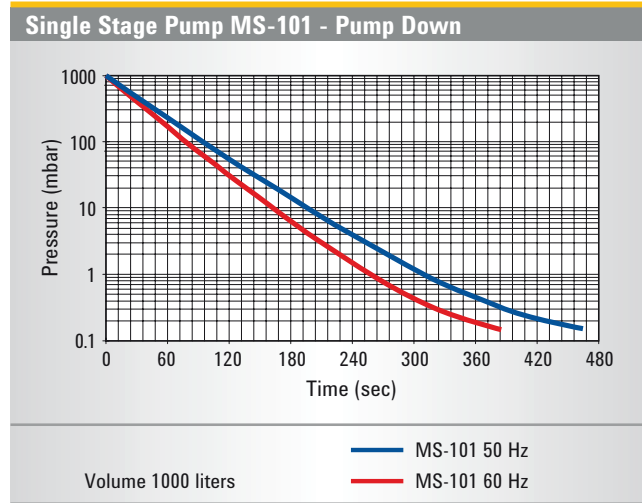
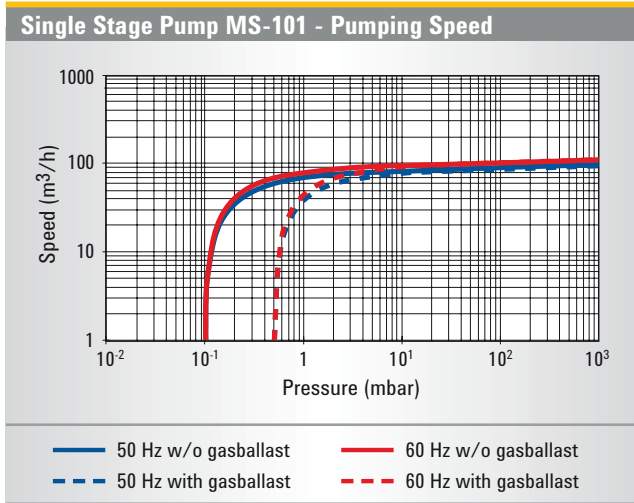
Technical Specifications

Free air displacement	60 Hz: 130 m ³ /hr, 76 cfm 50 Hz: 110 m ³ /hr, 65 cfm
Pumping speed*	60 Hz: 109 m ³ /hr, 64 cfm 50 Hz: 95 m ³ /hr, 56 cfm
Ultimate partial pressure (with gas ballast closed)	≤ 0.1 mbar (≤ 8 × 10 ⁻² Torr)
Ultimate total pressure (with gas ballast open)	≤ 0.5 mbar (≤ 0.4 Torr)
Power	60 Hz: 3.0 kW (4.0 HP) 50 Hz: 2.2 kW (3.0 HP)
Electrical motor characteristics	IM B5 Δ230/Y400 V at 50 Hz IM B5 YY230/Y460 V at 60 Hz IM B5 Δ220/Y380 V at 60 Hz
Revolutions number	60 Hz: 1800 RPM 50 Hz: 1500 RPM
Water vapor tolerance	60 Hz/50 Hz: 40/30 mbar (30/23 Torr)
Water vapor capacity	60 Hz/50 Hz: 3/2.2 kg/h (3.3/2.4 qt/hr)
Noise level**	60 Hz/50 Hz: 68/66 dB(A)
Inlet port	1¼" gas / 1¼" NPT/ DN40KF using adapter flanges
Exhaust port	1¼" gas / 1¼" NPT
Oil	type MS-01, charge 3 liter (3.1 qt)
Working ambient temperature range	+12 +40 °C (+54 +105 F)
Storage temperature	-15 +70 °C (+5 +158 F)
Dimensions	60 Hz: 750 x 405 x 349 mm (20.5 x 15.9 x 13.7 in.) 50 Hz: 718 x 405 x 349 mm (28.3 x 15.9 x 13.7 in.)
Weight	
with 2.2 kW motor	85 kg (187 lbs)
with 3.0 kW motor	89 kg (196 lbs)
without motor	62 kg (137 lbs)

* According to PNEUROP 6602

** According to EN ISO 2151 (50/60 Hz)

HIGH CAPACITY MS-RPS SERIES



High Capacity MS-RPS Pumps

Ordering Information

High Capacity Rotary Vane Pumps *	Part Number
MS-101 2.2 kW Δ230/Y400 V, 50 Hz; IE2; inlet 1¼" gas	X3751-60019
MS-101 3.0 kW Δ230/Y400 V, 50 Hz; 460 V, 60 Hz; inlet 1¼" gas	X3751-64008
MS-101 3.0 kW Δ230/Y380 V, 60 Hz; IE2; inlet 1¼" gas	X3751-60026
MS-101 3.0 kW YY230/Y460 V, 60 Hz; IE2; inlet 1¼" NPT (US version)	X3751-60021

* Oil charge not included

Oil and Accessories	Part Number
MS-01 Oil charge for MS-101 (3 liters)	X3760-64001
Inlet air filter with polyester cartridge, for DN40 KF	X3751-60014
Inlet air filter with polyester cartridge, for 1¼" gas	X3751-60013
Inlet air filter with polyester cartridge, for 1¼" NPT	X3751-60030
Connection fitting kit, for DN40 KF	X3751-60016
Connection fitting kit, for for 1¼" gas	X3751-60015
Connection fitting kit, for 1¼" NPT	X3751-60031
Exhaust filter control pressure switch	9495077
1¼" gas to DN40 KF adapter	X3751-64009
1¼" NPT to DN40 KF adapter	X3751-64010

Spare Parts	Part Number
MS-101 minor spare part kit	X3751-60010
MS-101 major spare part kit	X3751-60011
MS-101 inlet air filter polyester cartridge	X3751-60017
MS-101 exhaust coalescent filter kit	X3751-60018