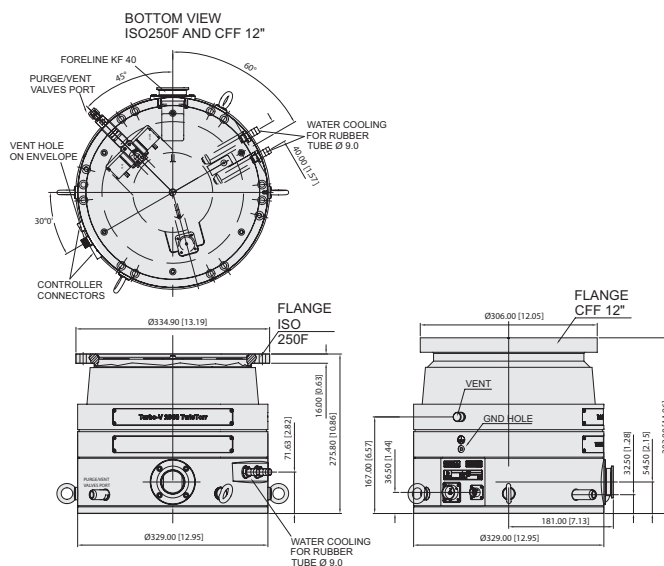


AGILENT TURBO PUMP MODELS

▶ Agilent Turbo-V 2300 TwisTorr Rack



Technical Specifications

Vacuum Performances

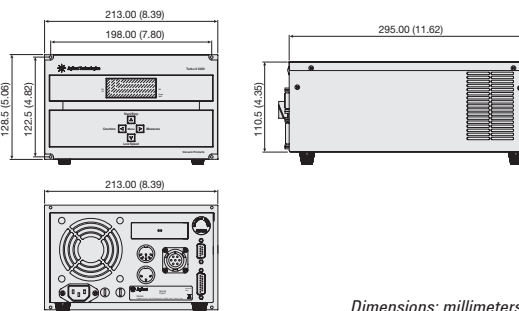
Pumping speed for N ₂ (*)	2050 l/s
Pumping speed for He (*)	1800 l/s
Pumping speed for H ₂ (*)	1500 l/s
Compression ratio for N ₂	>8 x 10 ⁸
Compression ratio for He	8 x 10 ⁵
Compression ratio for H ₂	4 x 10 ⁴
Base pressure* (with recommended forepump)	10 ⁻¹⁰ mbar (7.5 x 10 ⁻¹¹ Torr) (**)
Max foreline pressure for N ₂	4 mbar
Inlet Flange	ISO 250F, CFF 12" O.D.
Foreline flange	KF 40 NW

Other

Nominal rotational speed	33300 rpm
Start-up time without gas load and with the recommended forepump	< 6 minutes
Minimum recommended forepump	TriScroll 600
Operational position	Vertical/Upside down
Operating ambient temperature	+5 °C to +35 °C
Bakeout temperature	120 °C (CFF), 80 °C (ISO)
Max rotor temperature	120 °C
Vibration level (displacement)	< 0.01 μm at inlet flange
Lubricant	Permanent lubrication
Cooling requirements	Water
Coolant water	Recommended flow: 200 l/h Temperature: +15 °C to +30 °C Pressure: 3 to 5 bar (45 to 75 psi)
Noise level	<60 dB(A) at 1 meter
Storage temperature	-20 °C to +70 °C
Environment protection	IP54
Weight	ISO 250: 54.2 kg (119.5 lbs) CFF 12": 55.3 kg (121.9 lbs)

(*): WITHOUT INLET SCREEN

(**): According to standard DIN 28 428, the base pressure is that measured in a leak-free test dome, 48 hours after the completion of test dome bake-out, with a Turbopump fitted with a CFF flange and using the recommended pre-vacuum pump

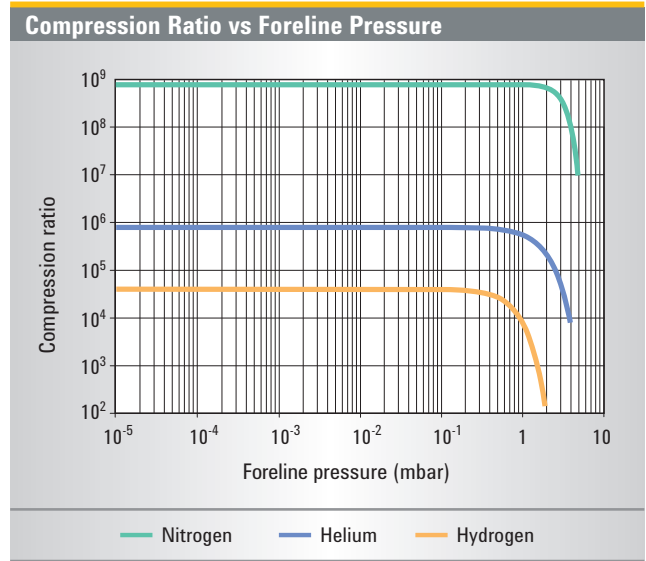
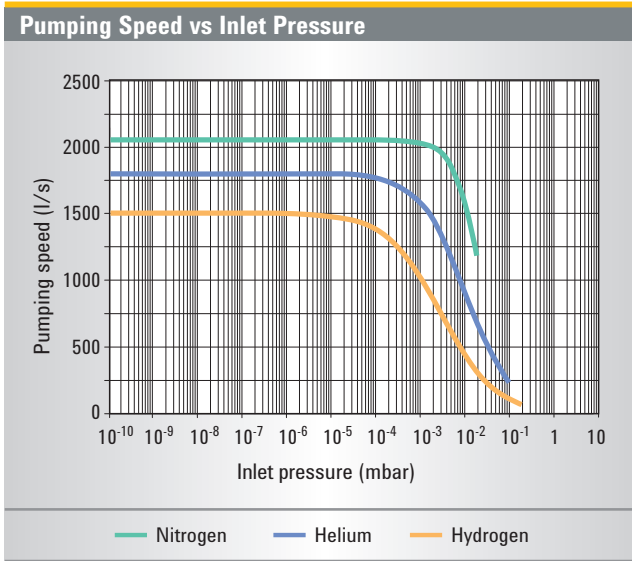


Dimensions: millimeters (inches)

Controller Specifications

Input voltages	100-120 VAC, 220-240 Vac, 1-phase
Input frequency	50 - 60 Hz
Maximum input power	1300 VA
Output voltage	64 Vac
Output frequency	555 Hz
Output Power starting	560 W maximum
Output Power normal	450 W maximum
Weight (both models)	12.5 kg (28 lbs)
Installation category	II
Pollution degree	2

TURBO PUMPS



Ordering Information

Pump	Part Number
Agilent Turbo-V 2300 TwisTorr ISO250F Rack	9696000
Agilent Turbo-V 2300 TwisTorr CFF12" OD Rack	9696001
Controllers*	
Agilent Turbo-V 2300 Rack controller, 100-240 V	X3501-64004
Agilent Turbo-V 2300 Pump-Controller Cable kit, 5 m, for pump and vent valve operation	X3501-68003
(*): Please note that rack controllers do not include the Pump-Controller Cable Kit	
Accessories	
Mains cable NEMA Plug, 3 m long	9699958
Mains cable European Plug, 3 m long	9699957
Center-ring ISO 250	9699144
Inlet screen DIN ISO 250 // CFF12" AISI	9699350
Water cooling kit for 6x8 (IDxOD) flexible tube	9699348
Water cooling kit for 3/8 in. ID flexible tube	9699338