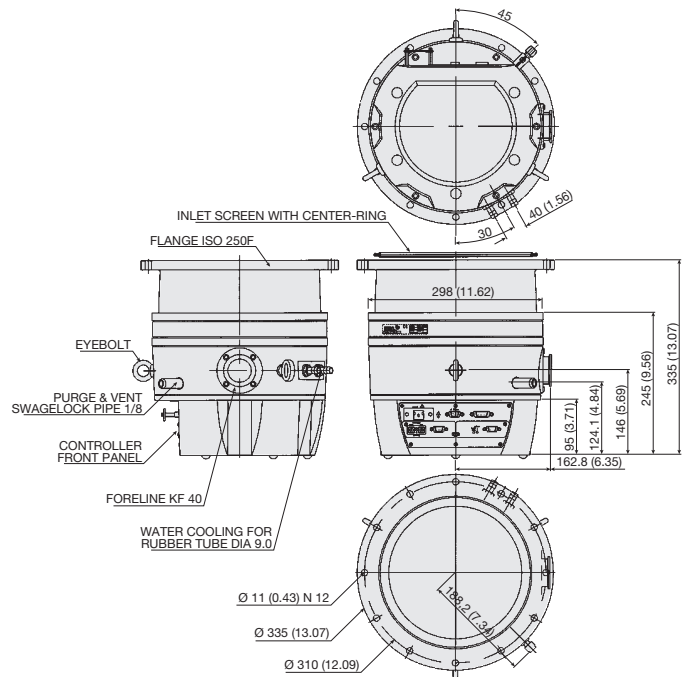


## AGILENT TURBO PUMP MODELS

### ▶ Agilent Turbo-V 2K-G System



#### Turbo-V 2K-G System

- The first application-specific pumping solution designed for thin film deposition equipment
- The highest performing, most compact unit available
- The first fully integrated approach for maximum system productivity and uptime

#### The System Interface

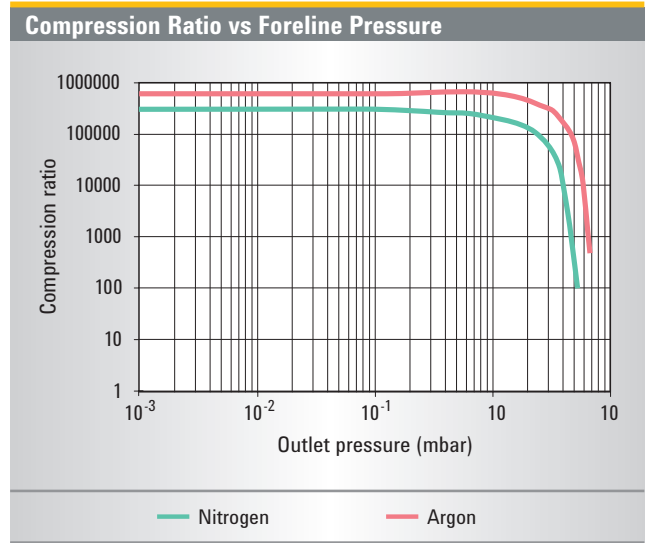
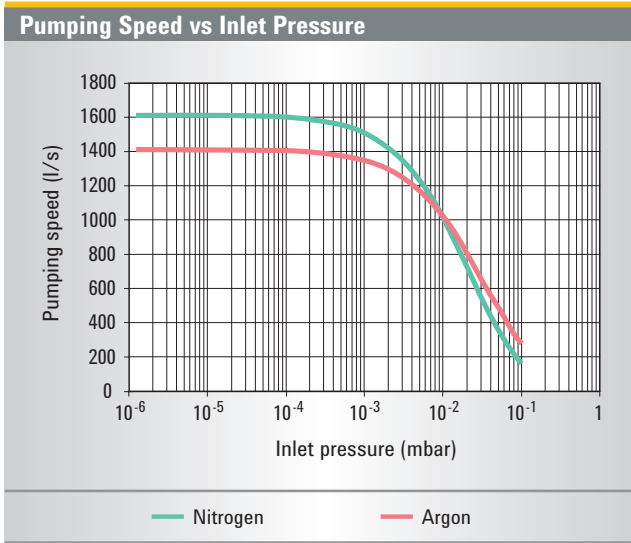
- Integrated package includes Turbo Molecular Pump, Drive Electronics, Power Supply, Purge Gas and Communication
- Versatile electronics interface with easy to use control Software
- Analog I/O signals and RS232 / RS485 interface as standard Agilent Profibus interface as option

#### Technical Specifications

<b>Pumping speed</b>		N <sub>2</sub> : 1600 l/s
<b>Compression ratio</b>		N <sub>2</sub> : 3 x 10 <sup>5</sup>
<b>Base pressure*</b> (with recommended forepump)		< 1 x 10 <sup>-8</sup> mbar
<b>Inlet flange</b>		ISO 250 F
<b>Foreline flange</b>		KF 40 NW
<b>Nominal rotational speed</b>		33,000 rpm
<b>Start-up time</b>		<7 minutes
<b>Recommended forepump</b>		> 40 m <sup>3</sup> /h
<b>Operating position</b>		Any
<b>Operating ambient temperature</b>		+5 °C to +40 °C
<b>Power supply</b>	Input voltage	100 - 240 Vac
	Input freq.	50 - 60 Hz
<b>Communication Interface</b>	Analogue I/O	Standard
	RS232 / RS485	Standard
	Profibus	Optional
<b>Dimensions</b>	Height	335 mm (13.18 in.)
	Diameter	335 mm (13.18 in.)
	Weight	35 kg (77 lbs)

\* According to standard DIN 28 428.

# TURBO PUMPS



## Ordering Information

Description	Part Number
<b>Pumping Systems (*)</b>	
Turbo-V 2K-G system with MoniTorr	9698871
Turbo-V 2K-G system with Profibus and MoniTorr	9698873
(*) Pumping Systems include Pump with 230 V Integrated Electronics, water hose connection, Inlet Screen with center-ring and pre-installed IP54 Mating Connectors. Both standard models can be equipped with Agilent's MoniTorr device on request. Also 120 Vac units available on request.	
<b>Accessories</b>	
Mains cable NEMA Plug, 3 m long	9699958
Mains cable European Plug, 3 m long	9699957
T-Plus Software and serial cable	9699883
Water cooling kit for 6x8 (IDxOD) flexible tube	9699348
Water cooling kit for 3/8 in.ID flexible tube	9699338
Turbo-V remote cable	9699945
Turbo-V remote panel	9698850
<b>Spare Parts</b>	
IP54 proof mating connectors	9699958
Inlet screen ISO 250 with center ring	9699138
Water hoses	9699825