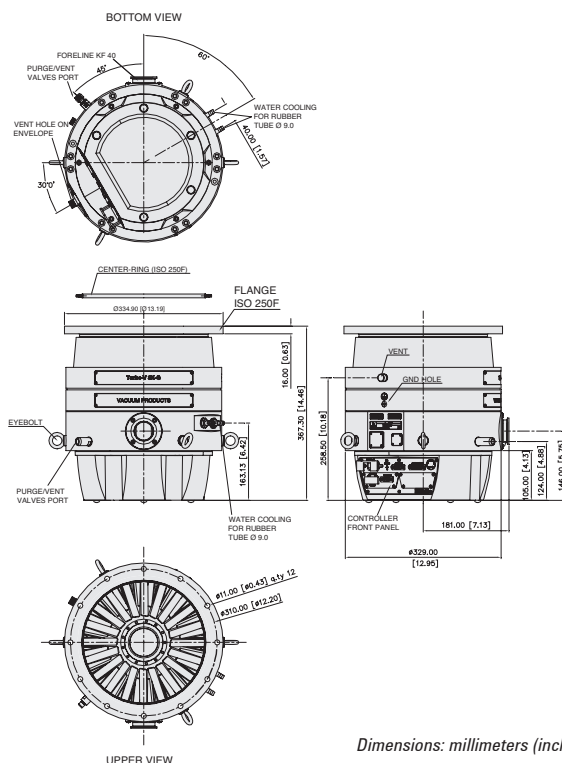


AGILENT TURBO PUMP MODELS

▶ Agilent Turbo-V 3K-G System



The Only Truly “Integrated” System in the Market

The Turbo-V 3K-G: an advanced solution for Thin Film applications

- Fully integrated system with on board waterproof power supply
- Vent/purge valves control capability
- Integrated diagnostics
- Multiple interfaced capability
- Lowest power absorption

Best Footprint to Performance Ratio

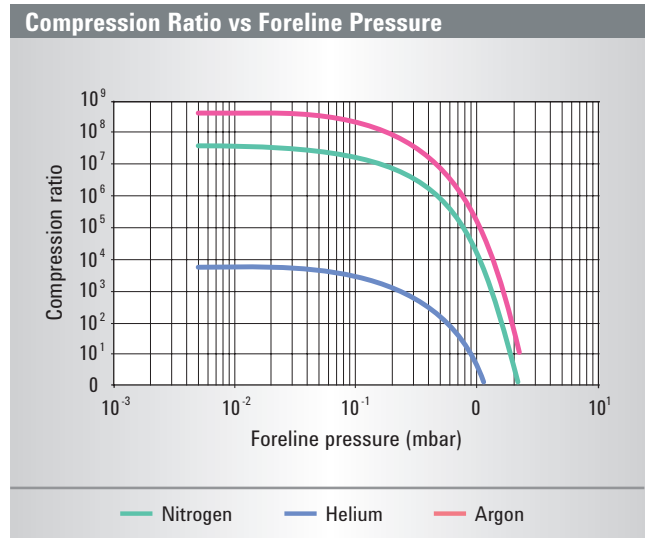
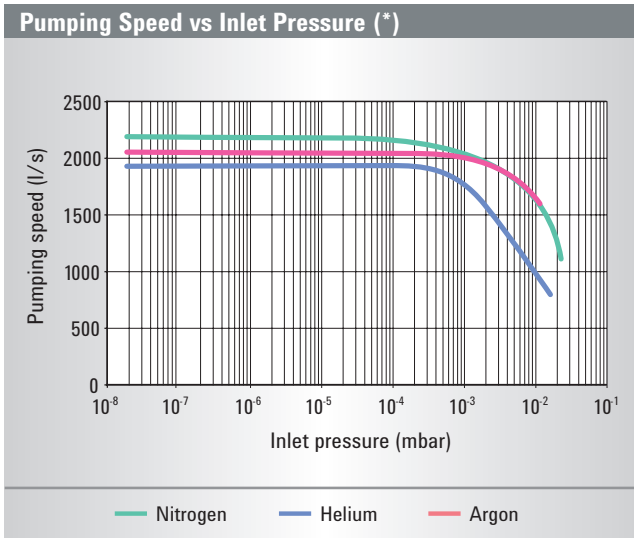
- The highest Argon pumping speed (2050 l/s) for its size allows uniform deposition rates at high substrate throughput
- Highest pumping speed in its class: 2200 l/s for Nitrogen
- Throughput: over 1400 sccm for Nitrogen
- The all-turbo, more compact rotor design delivers highest performance with the smallest footprint

Technical Specifications

| | | | |
|-------------------------------------------------------------------------|------------------------------------------------------------|-------------------------|---------------------------|
| Pumping speed | N ₂ : 2200 l/s | He: 1900 l/s | Ar: 2050 l/s |
| Compression ratio | N ₂ : > 1 x 10 ⁷ | He: 6 x 10 ³ | Ar: > 1 x 10 ⁸ |
| Base pressure* (with recommended forepump) | < 1 x 10 ⁻⁸ mbar | | |
| Inlet flange | ISO 250 F | | |
| Foreline flange | KF 40 NW | | |
| Nominal rotational speed | 31,800 rpm | | |
| Start-up time without gas load and with the recommended forepump | < 6 minutes | | |
| Foreline pressure | < 0.5 mbar | | |
| Minimum recommended forepump | > 60 m ³ /h (depending on gasflow requirements) | | |
| Operating position | Any | | |
| Cooling requirements | Water | | |
| Weight (ISO 250) | 52 kg (114.63 lbs) | | |

* According to standard DIN 28 428.

TURBO PUMPS



(*) Measured with a 60 m³/h forepump.

Ordering Information

| Description | Part Number |
|-------------------------------------------------------------------------------------------------------------------------------------------------------------------------------------------------------------------------------------------------------------------------------------------------|-------------|
| Pumping Systems (*) | |
| Turbo-V 3K-G ISO 250 F System with integrated purge/vent device | 9698888 |
| Turbo-V 3K-G ISO 250 F System with Profibus and integrated purge/vent device | 9698889 |
| (*) Pumping Systems include Pump with 230 V Integrated Electronics, Inlet Screen installed on the pump, separate center-ring and pre-installed IP54 Mating Connectors. Both standard models can be equipped with Agilent's MoniTorr device on request. Also 120 Vac units available on request. | |
| Accessories | |
| Mains cable NEMA Plug, 3 m long | 9699958 |
| Mains cable European Plug, 3 m long | 9699957 |
| T-Plus Software and serial cable | 9699883 |
| Water cooling kit for 6x8 (IDxOD) flexible tube | 9699348 |
| Water cooling kit for 3/8 in.ID flexible tube | 9699338 |
| Spare Parts | |
| IP54 proof mating connectors | 9699960 |
| Inlet screen ISO 250 | 9699350 |
| O-ring and center ring ISO250 | 9699144 |