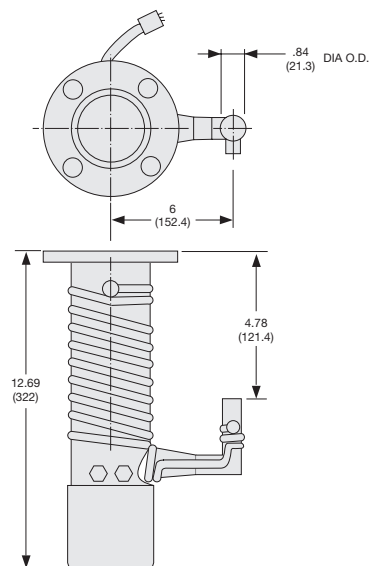


PUMP MODELS

▶ Agilent HS-2



Dimensions: inches (millimeters)

Technical Specifications

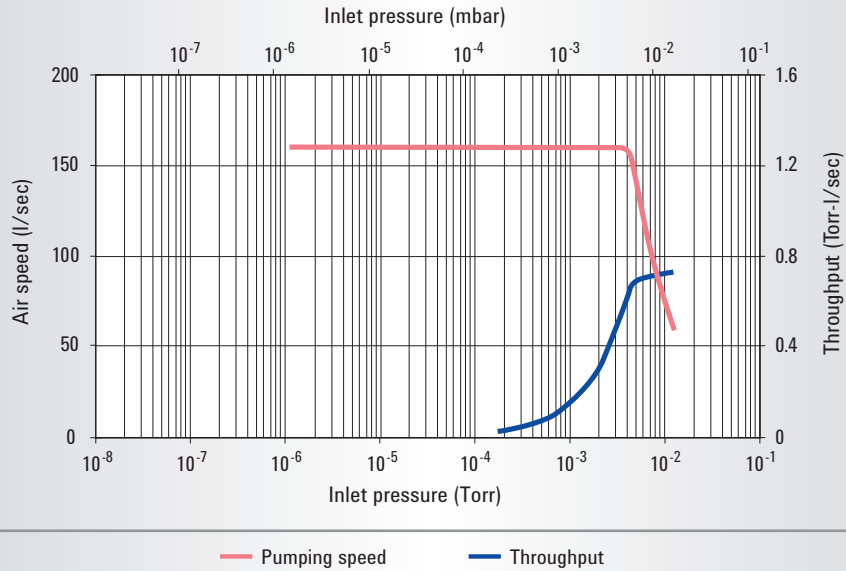
Pumping speed, operating range	160 l/s air, 200 l/s He and H ₂
Pumping speed*, AVS 4.1 (1963)	285 l/s air
Maximum throughput	0.60 T-l/s (0.80 mbar-l/s) in operating range, 0.70 T-l/s (0.93 mbar-l/s) @ 0.01 Torr
Operating range	3.7 x 10 ⁻³ to < 5 x 10 ⁻⁸ Torr, (4.9 x 10 ⁻³ to < 6.5 10 ⁻⁸ mbar)
Maximum forepressure	No load: 0.55 Torr (0.71 mbar) Full load: 0.40 Torr (0.52 mbar)
Recommended backing pump	≥ 5 cfm (8.5 m ³ /hr)
Backstreaming rate**, standard cold cap	< 1 x 10 ⁻³ mg/cm ² /min
Warmup time	15 minutes
Cooldown time	10 minutes (with quick cool coil)
Fluid charge	100 cc
Electrical requirements	1 ph, 50/60 Hz, 120/240 VAC
Pump power	450 watts
Cooling water requirements	0.1 gpm (20 l/hr) at 60-80 °F (15-26 °C)
Water connections	½ in. FPT

* For an explanation of pumping speed measurements, please see page 160.

** Refer to page 158 for a description of test methods.

DIFFUSION PUMPS

HS-2 Pumping Speed - Air/N₂



Ordering Information

Description	Wt. kg (lbs)	Part Number
ASA		
With standard cold cap, 120 V	20.0 (9.0)	82906301
With standard cold cap, 240 V	20.0 (9.0)	82906302
Description	Wt. kg (lbs)	Part Number
Water-cooled baffle with ASA flanges	10.0 (4.5)	F9453302
Santovac 5 diffusion pump fluid, 500 cc pump fluid, 500 cc	2.5 (1.1)	695405005
Installation and Operation Manual (download from www.agilent.com/chem/vacuum)		699901150

Description	Wt. kg (lbs)	Part Number
Replacement Parts (one heater required per pump)		
350 W, 120 V heater (HS2A)	1.0 (0.5)	647301100
350 W, 240 V heater (HS2A)	1.0 (0.5)	647301125
450 W, 120 V heater	1.0 (0.5)	647302125
450 W, 240 V heater	1.0 (0.5)	647302150
Heater block (one required per pump)	1.0 (0.5)	82920001
Heater platen (one required per pump)	1.0 (0.5)	82918301
Replacement o-ring kit, (5 Inlet flange o-rings (butyl 2-338))	1.0 (0.5)	K0377159

- NOTE**
- Inlet flange: nominal 2 in. ASA flange with 6 in. OD
 - Foreline flange: 0.84 in. diameter tube
 - See page 157 for baffles
 - See page 156 for santovac 5 diffusion pump fluid